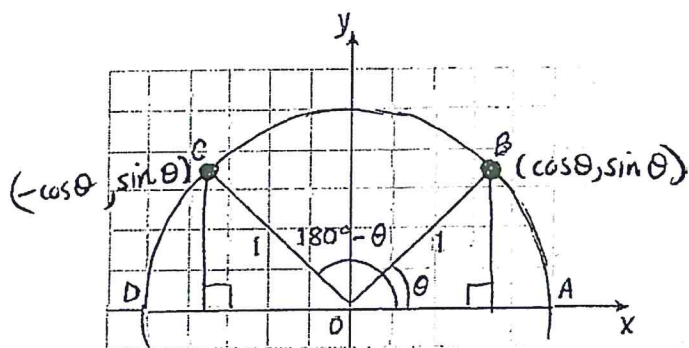


Chapter 11 Non-Calculator Practice

Key

Using the picture below as a guide, find the following without using a calculator:



Example:

a) $\sin 159^\circ$ if $\sin 21^\circ \approx 0.358$

0.358

b) $\cos 92^\circ$ if $\cos 88^\circ \approx 0.035$

-0.035

c) $\cos 75^\circ$ if $\cos 105^\circ \approx -0.259$

0.259

must be supplementary!

Your turn:

a) $\sin 137^\circ$ if $\sin 43^\circ \approx 0.6820$

0.6820 (Q1+Q2 same)

b) $\sin 59^\circ$ if $\sin 121^\circ \approx 0.8572$

0.8572 (Q1+Q2 same)

c) $\cos 143^\circ$ if $\cos 37^\circ \approx 0.7986$

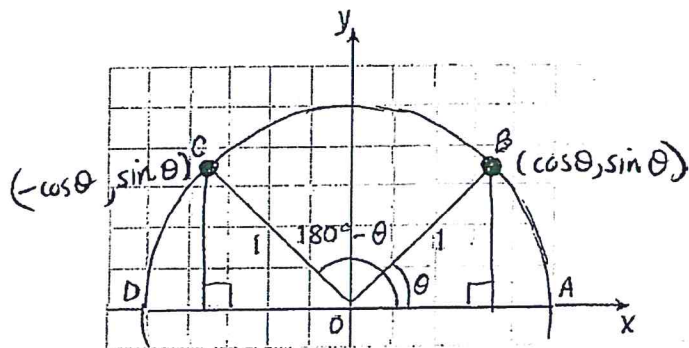
-0.7986 (Q1+2 opp)

d) $\cos 24^\circ$ if $\cos 156^\circ \approx -0.9135$

0.9135 (Q1+2 opp)

Chapter 11 Non-Calculator Practice

Using the picture below as a guide, find the following without using a calculator:



Example:

a) $\sin 159^\circ$ if $\sin 21^\circ \approx 0.358$

b) $\cos 92^\circ$ if $\cos 88^\circ \approx 0.035$

c) $\cos 75^\circ$ if $\cos 105^\circ \approx -0.259$

Your turn:

a) $\sin 137^\circ$ if $\sin 43^\circ \approx 0.6820$

b) $\sin 59^\circ$ if $\sin 121^\circ \approx 0.8572$

c) $\cos 143^\circ$ if $\cos 37^\circ \approx 0.7986$

d) $\cos 24^\circ$ if $\cos 156^\circ \approx -0.9135$